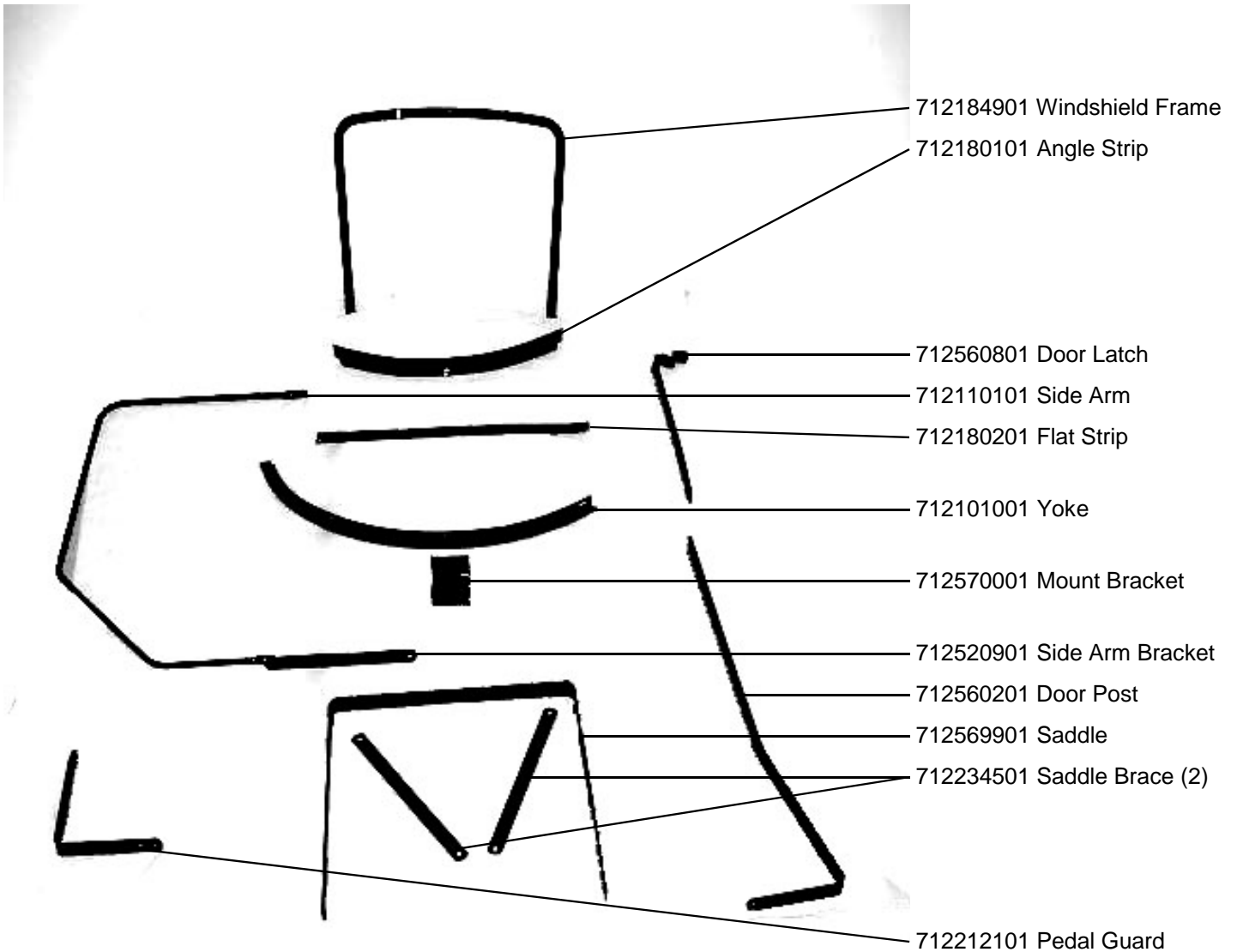


Installation Instructions for
 307021370 or 307603544 FEMCO Weather Brake
 Fits: Massey Ferguson 165 Row Crop & Standard Tread Models with
 upright exhaust, in front of manifold (Gas or Diesel)

Listed and shown below are the parts required to install the 1370 or 3544 Weather Brake. Carefully study the photographs and identify all parts before starting assembly. Verify that all parts are in the box. Follow the installation steps numerically.



- Not Shown:
 711389700 25" Windshield
 720582700 Curved Window
 720583700 Flat Window
307021370 Vinyl
 720755105 Motor Cover
 720755205 Door Assembly
 729137000 Hardware Bag
307603544 Canvas
 720859504 Motor Cover
 720859604 Door Assembly
 729354400 Hardware Bag

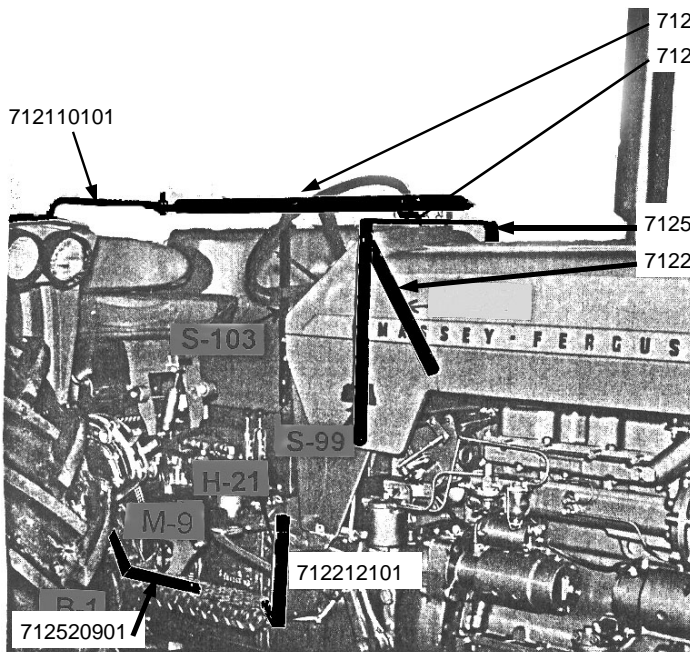


Figure 1

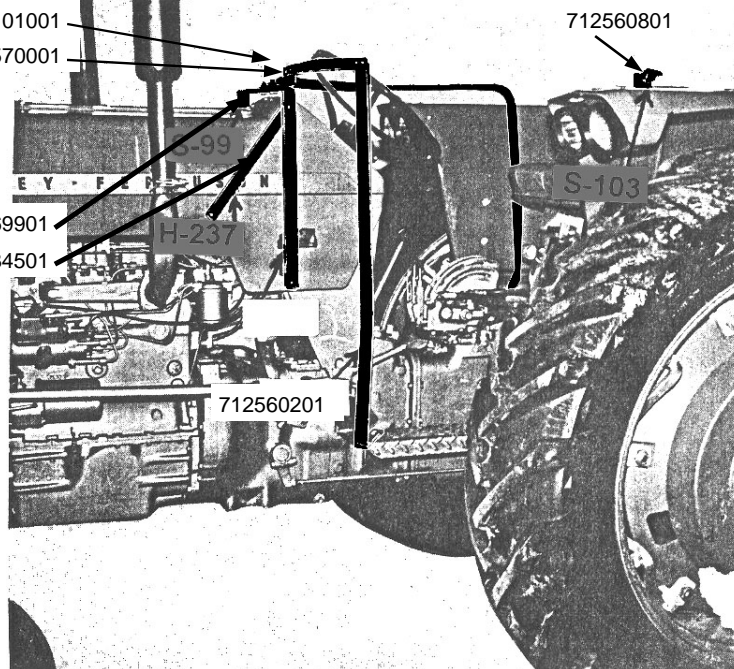
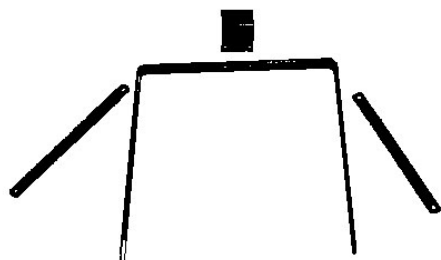


Figure 2

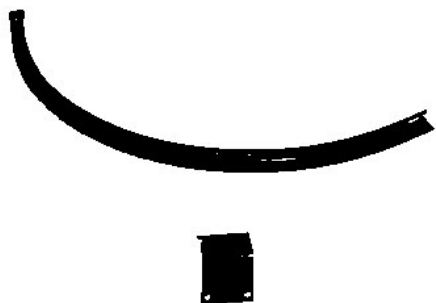
1. Attach # 712212101 Pedal Guard to the right foot rest using a 3/8x1 1/2" hex bolt and nut. See Figure 1



Saddle, Saddle Braces & Mount Bracket

2. Attach # 712570001 Mount Bracket to the # 712569901 Saddle using 5/16x3/4 hex bolts and nuts. Attach the Saddle and Mount Bracket assembly to existing holes on the tractor using 1/4x1" hex bolts. Attach # 712234501 Saddle Braces to existing holes on tractor and to Saddle using 1/4x1" hex bolts and nuts. See Figure 1 and 2

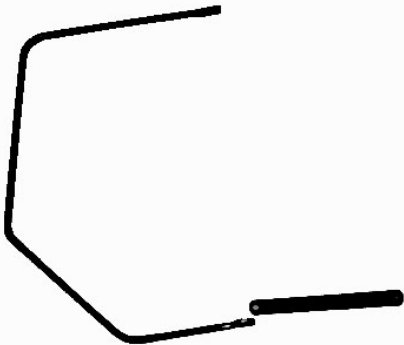
3. Place a 3/8x1 1/2" hex bolt in the # 712520901 Side Arm Bracket. Attach the Side Arm Bracket to the right foot rest using the outside rear hole on the foot rest using a 5/16x1" Hex bolt and nut. See Figure 1



Yoke & Mount Bracket

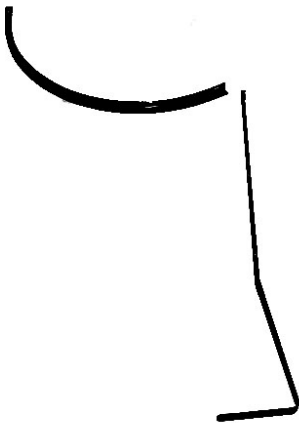
4. Insert # 712110101 Side Arm into the wide hem on the right side of the Motor Cover. Insert the # 712101001 Yoke into the wide hem at the top of the Motor Cover. Attach the Side Arm to the right side of the Yoke using a 3/8x1 1/2" hex bolt and wing nut. Place the bolt head below and the nut on top of the assembly.

5. Place the Motor Cover over the tractor. Attach the Yoke to the Mount bracket using 1/4x3/4" hex bolts and nuts. Place the bolt heads to the front and the nuts to the rear of the assembly. Attach the Side Arm to the Side Arm Bracket using the previously inserted 3/8x1 1/2" hex bolt and nut. See Figure 1 & 2



Side Arm & Side Arm Bracket

6. Insert # 712560201 Door Post into the wide hem on the left side of the Motor Cover. Attach the top of the door post to the Yoke using a 1/4x1" hex bolt and wing nut. Place the bolt head to the rear and the nut to the front of the assembly. Attach the bottom of the Door Post to the left foot rest using a 3/8x1 1/2" hex bolt and nut. See Figure 1



Yoke & Door Post

7. Straighten the Motor Cover on the tractor. Tie straps to grommets on side of the Motor cover. Attach springs to grommets on the other side of the Motor Cover. Attach straps to springs using buckles. Adjust straps so tension is maintained on springs. Remove the appropriate rip-off patch, left side for diesel right side for gasoline, located over the exhaust system by cutting every third stitch and removing patch. Make sure Motor Cover fabric does not contact exhaust or other hot or rotating areas of tractor.

8. Find hinge holes in Door Post and punch holes through Motor Cover at hole locations. Place Door Assembly level with the bottom of the Yoke and mark Door post hole locations. Cut slits in Door Assembly around wire frame and insert F1 clips. Attach F1 clips to Door Post using 3/16x3/4" hex bolts and nuts. Tie straps sewn on Motor cover to Door Assembly grommets. See Figure 3 And Window Assembly Instructions

9. Attach # 712560801 Door Latch to left fender using 1/2x1 1/4" hex bolts and nuts. On row crop models and when fender is in high position use second and fourth holes from bottom of Door Latch. On Utility models and when fender is in low position use first and third holes from bottom of Door Latch. See Figure 1

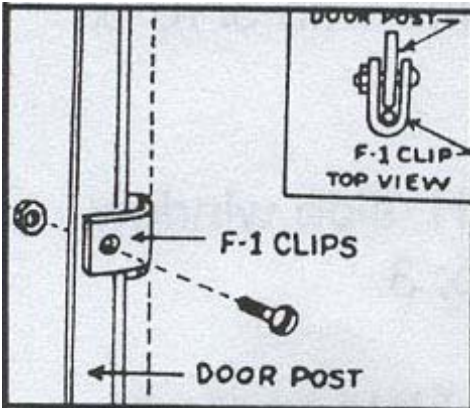
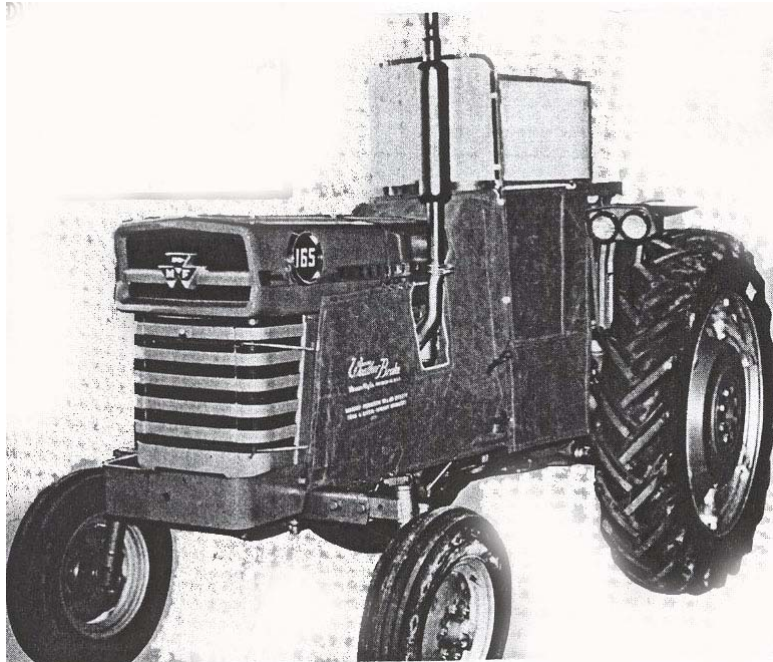
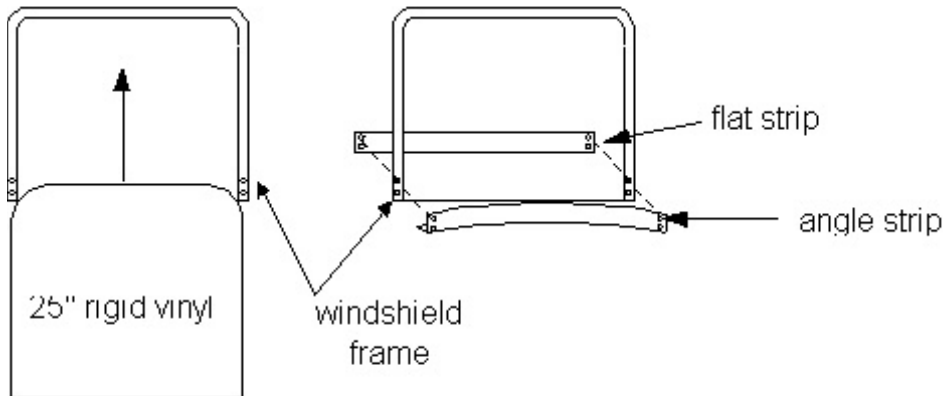


Figure 3

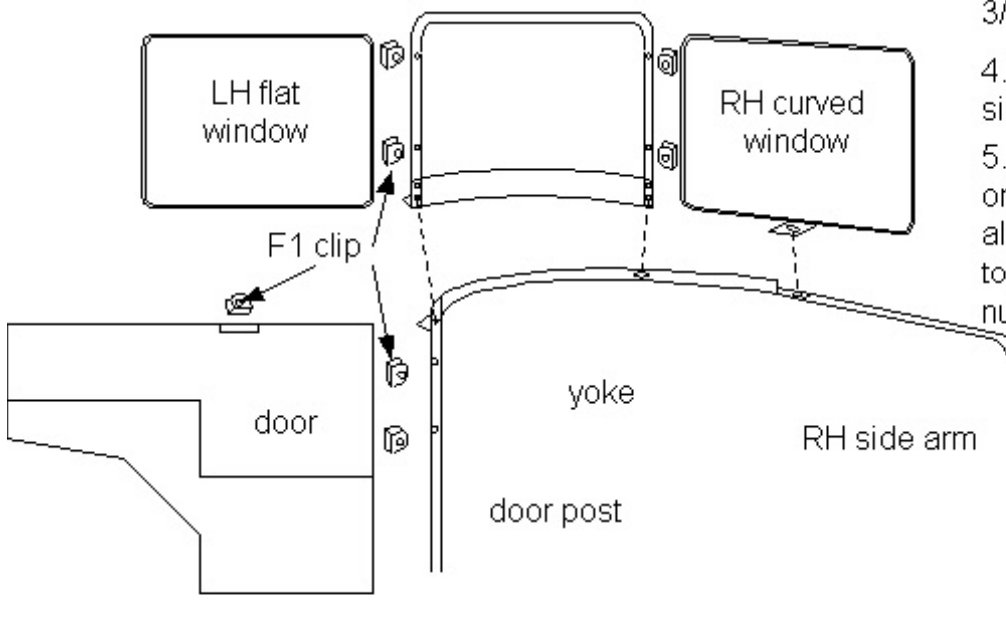


WINDSHIELD/SIDE WINDOW ASSEMBLY INSTRUCTIONS

The pictures shown are generic drawings. The part shapes shown may vary from the parts supplied with this WB. The descriptions should be correct. Follow the instructions by step.



1. Slide the rigid vinyl into the windshield frame
2. Fasten the flat strip and angle strip to the windshield frame using 2 - 3/16 x 3/4 bolts in the top holes. Tighten nuts.



3. Cut slots in RH curved window to match holes in frame. Insert F1 clips in slots, around wire, and bolt to frame using 2- 3/16 x 3/4" bolts and nuts
4. Repeat step 3 for LH side window.
5. Place windshield assembly on yoke so lower RH hole aligns with slot in yoke. Bolt to yoke using 1/4 x 1 bolt and nut.

6. Remove nut, place lower LH hole over existing bolt at door post/yoke and replace nut.

7. Remove the nut and place the bottom of the RH side window over the existing bolt at the yoke/ side arm. Replace the nut.

8. Place an F1 clip through the cut out in the top of the door. Punch a small hole through the vinyl in the LH side window and bolt using a 3/16 x 3/4 bolt and nut

FEMCO, Inc.

General Offices
500 North 81 By-Pass
Mcpherson, KS 67460
Phone: 620-241-3513
Toll Free 1-800-677-0898
Fax: 620-241-3532
www.fcmcomfg.com